



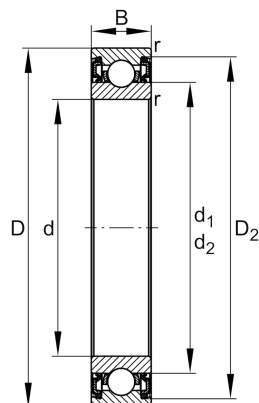
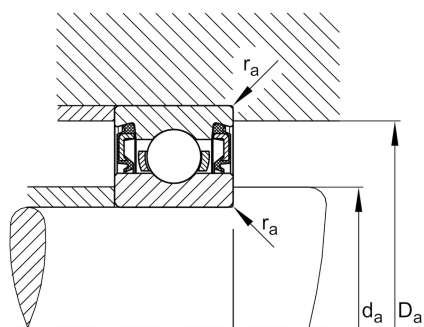
FAG

61814-2RZ-Y

Deep groove ball bearing

Schaeffler ID:
0797294600000Deep groove ball bearing 618...-2RZ-Y,
single row, shields, brass sheet metal cage

Technical information

**Main Dimensions & Performance Data**

d	70 mm	Bore diameter
D	90 mm	Outside diameter
B	10 mm	Width
C _r	13.200 N	Basic dynamic load rating, radial
C _{0r}	12.400 N	Basic static load rating, radial
C _{ur}	820 N	Fatigue load limit, radial
n _G	9.000 1/min	Limiting speed
n _{gr}	5.300 1/min	Reference speed
	0,14 kg	Weight

Dimensions

r _{min}	0,6 mm	Minimum chamfer dimension
D ₂	85,5 mm	Caliber diameter outer ring
d ₁	76,6 mm	Shoulder diameter inner ring

Mounting dimensions

d _{a min}	73,2 mm	Minimum diameter shaft shoulder
D _{a max}	86,8 mm	Maximum diameter of housing shoulder
r _{a max}	0,6 mm	Maximum fillet radius

Calculation factors

f ₀	16,1	Calculation factor
----------------	------	--------------------

Temperature range

T _{min}	-30 °C	Operating temperature min.
T _{max}	100 °C	Operating temperature max.